

Features:

- Reinforced fiberglass horn.
- 50 mm (2") throat.
- 40°(H) x 20°(V) nominal coverage.
- Side-fill and P.A. applications.
- Metal bracket included (HS50).

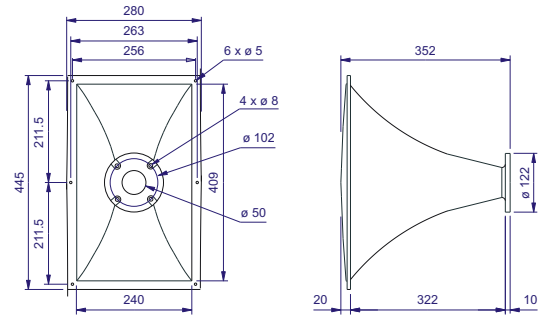


*HL47-50-SLF: Without Selenium logo printed on it.

SPECIFICATIONS

Nominal coverage		
Horizontal	40	degrees
Vertical	20	degrees
Directivity		
Directivity factor (Q)	53	
Directivity index (Di)	17	dB
Sensitivity		
On driver, 1W @ 1m, on axis ¹	112	dB SPL
Frequency response @ -10 dB ²	500 to 20.000	Hz
Throat diameter	50 (2)	mm (in)
Minimum recommended crossover ³	400	Hz

¹ Measured with D4400Ti driver, 800 - 3,000 Hz average.
² Measured with D4400Ti driver.
³ With D405 driver.



Dimensions in mm.

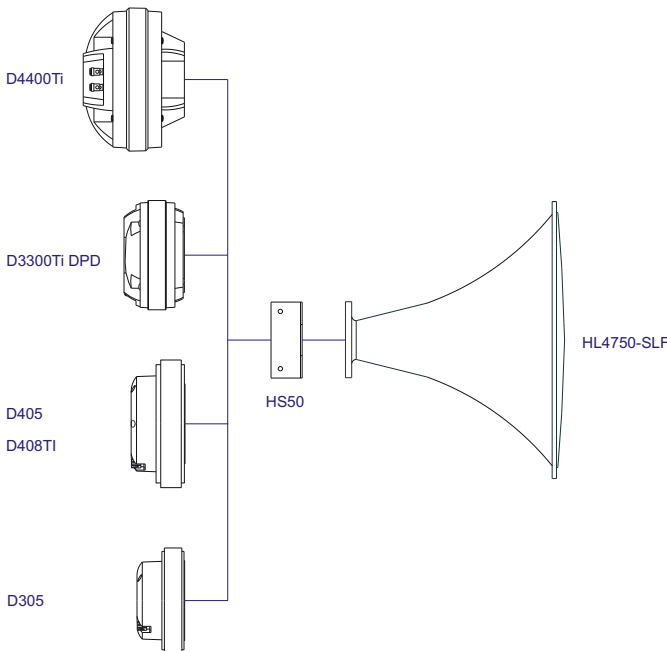
ADDITIONAL INFORMATION

Horn material	Reinforced fiberglass
Horn finish	Black
Overall dimensions	
Mouth height	280 (11.02) mm (in)
Mouth width	445 (17.52) mm (in)
Length	352 (13.86) mm (in)
Volume displaced by horn	4.1 (0.145) l (ft ³)
Net weight	1,900 (4.19) g (lb)
Gross weight	3,600 (7.94) g (lb)
Carton dimensions (W x D x H)	47.5 x 29 x 40 (18.7 x 11.4 x 15.8) cm (in)

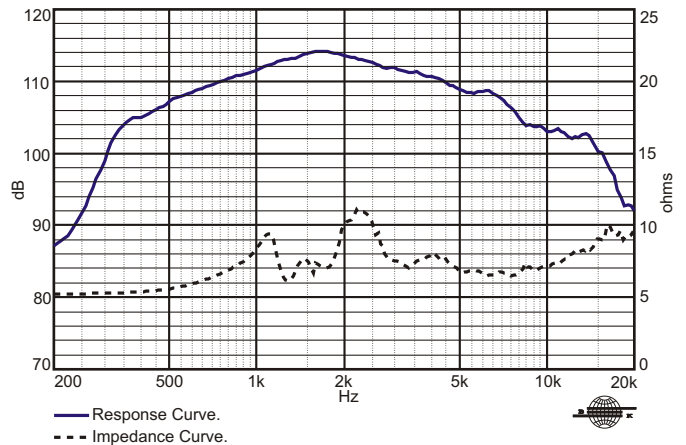
MOUNTING INFORMATION

Mechanical connection of driver	Bolt on
Baffle cutout dimensions (front mount)	
Horizontal	405 (15.95) mm (in)
Vertical	240 (9.45) mm (in)

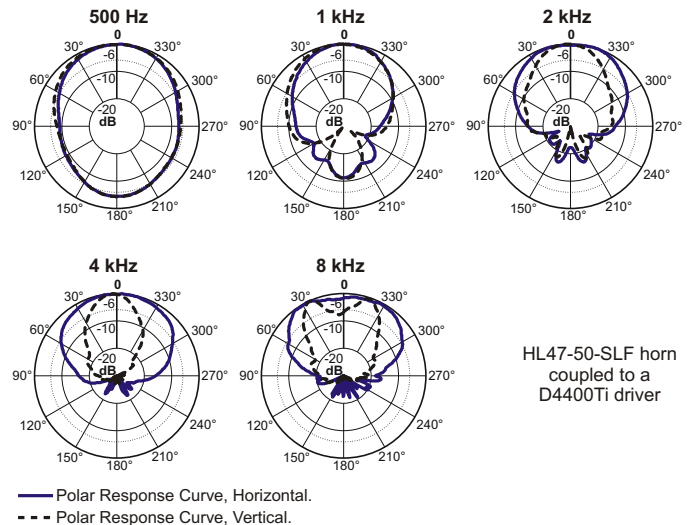
HORN x DRIVER CONNECTION



RESPONSE AND IMPEDANCE CURVES W/ D4400Ti DRIVER INSIDE AN ANECHOIC CHAMBER, 1 W / 1 m



POLAR RESPONSE CURVE



HL47-50-SLF horn coupled to a D4400Ti driver

Specifications subject to change without prior notice.

Cod.: 151521 Rev.: 03- 03/05

ELETRÔNICA SELENIUM S.A.
 BR 386 Km 435 - Nova Santa Rita/RS - Brasil - CEP 92480-000
 Tel.: 51. 479 4000 Fax: 51. 479 1150
 www.selenium.com.br
 Atendimento Técnico: 0800 514161

FILIAL SÃO PAULO
 Rua Aquinos, 157 - São Paulo/SP - Brasil - CEP 05036-070
 PABX.: 11.2126 6300 Fax: 11.2126 6360

SELENIUM USA / SELENIUM EUROPE
 www.seleniumloudspeakers.com
 Toll Free: 1800 5620510